

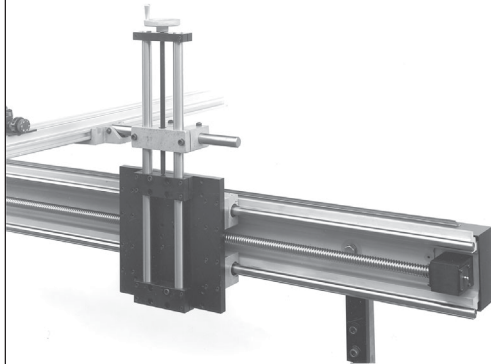
AUTOGAUGE G48 PLATE GAUGE FOR HEAVY FORMING

EXTRA SAVINGS BECAUSE HANDLING PLATE IS MORE LABOR INTENSIVE THAN SHEET METAL

The G48 offers significant productivity improvement because handling larger, heavier workpieces often involves 2 or more operators and material handling equipment. Although these handling methods may still be employed, once the workpiece is maneuvered to the bending die it can be sequenced through the bends as the backgauge repositions on each ram cycle.

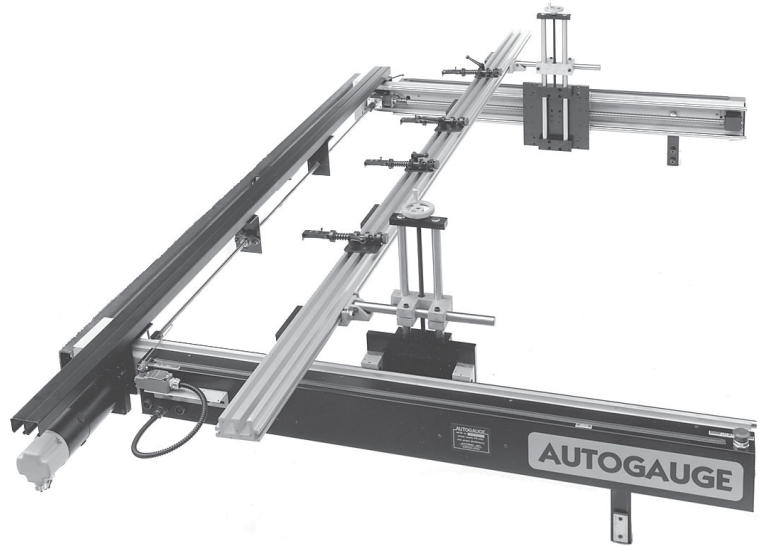
TIME SAVINGS EVEN ON SINGLE-BEND WORKPIECES

Considerable time is involved setting a manual backstop for a solitary bend on plate. The stop must be very rigid and making changes on such a bulky apparatus is time consuming. Some operators resort to layout and scribing which is equally time consuming. The G48 lets the operator punch in the dimension and bend in seconds.



49" TRAVEL FILLS A VOID ON LARGE FLANGE SHEET METAL APPLICATIONS

Traditional 24" travel backgauges prohibit deep flanges on some workpieces. The G48 opens that range up to 49".



TECHNICAL SPECIFICATIONS

DUAL DRIVE

Recommended press brake width (Between side frames)	96" to 144"
Tilting gauge bar	std.
No. of drive screws	2
Gauge height adj.	12"
Gauge travel	49"
Gauge speed	600"/minute
Resolution	.001"
Repeatability	± .002"
Workblocks supplied	4
GF-8 flip fingers supplied	4
Horizontal calibration adjustment	16"
Holding force	400 lbs.
Std. gaugebar length	11'
O.A. Width	84"
O.A. Height	32"
O.A. Depth (front to rear)	75"
Gauge bar shock mounts	std.
Rear support legs	std.
Shipping weight	590 lbs.

TRIPLE DRIVE

Recommended press brake width (Between side frames)	144" to 288"
Tilting gauge bar	std.
No. of drive screws	3
Gauge height adj.	12"
Gauge travel	49"
Gauge speed	600"/minute
Resolution	.001"
Repeatability	± .002"
Workblocks supplied	4
GF-8 flip fingers supplied	4
Horizontal calibration adjustment	16"
Holding force	600 lbs.
Std. gaugebar length	18'
O.A. Width	168"
O.A. Height	32"
O.A. Depth (front to rear)	75"
Gauge bar shock mounts	std.
Rear support legs	std.
Shipping weight	750 lbs.

AUTOMECH

82 CALVARY STREET
WALTHAM, MA 02453-5918

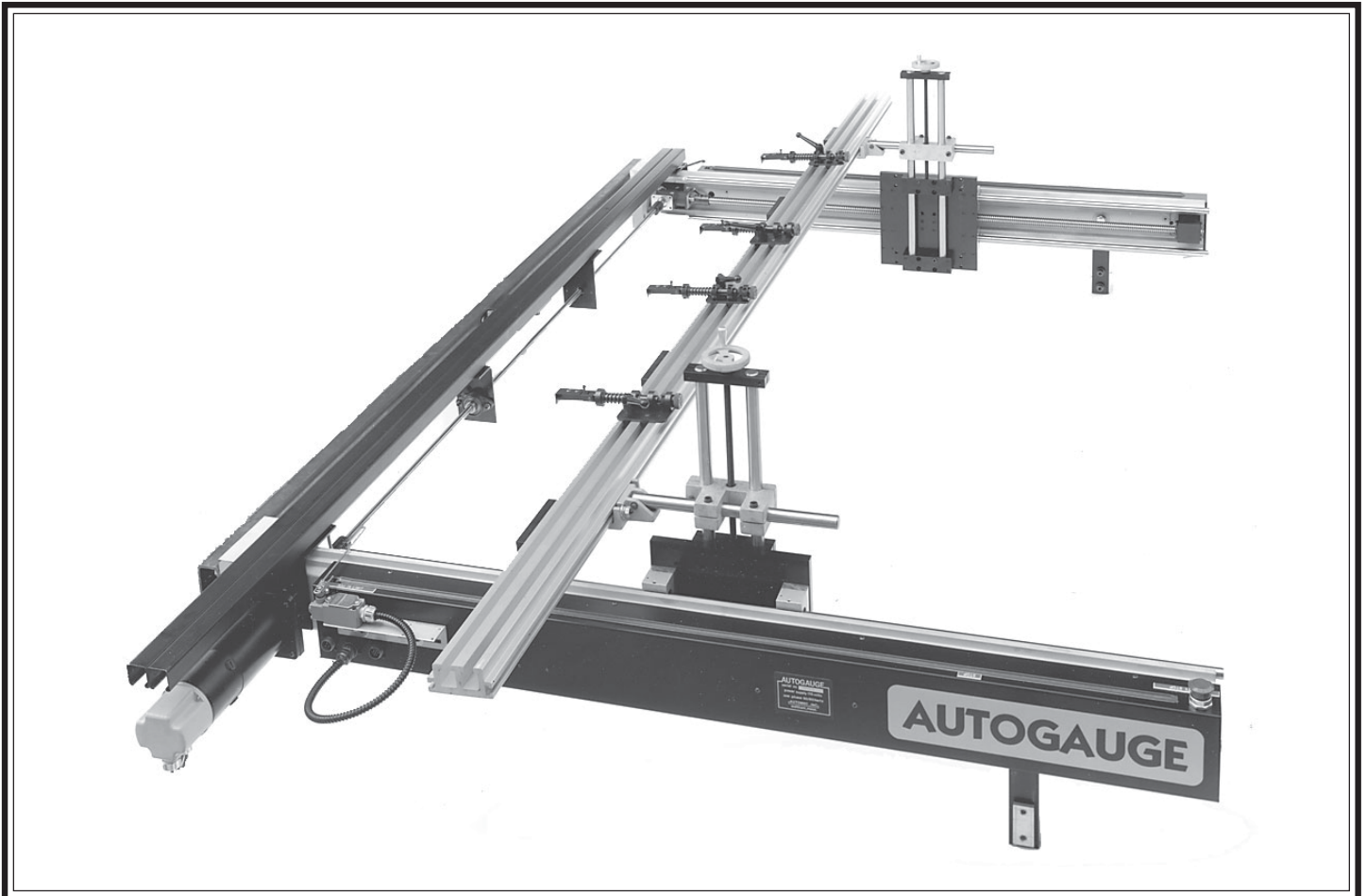
Telephone: 781-893-3403 • Fax: 781-899-5708

E-mail: sales@automec.com

WEBSITE: WWW.AUTOMECH.COM

AUTOGAUGE G48

PLATE GAUGE FOR HEAVY FORMING



Programmable backgauging for pressbrakes has always offered impressive productivity savings for medium and short runs on light sheet metal. Now, the G48 for Pressbrakes brings those same savings when forming heavier materials.

(See reverse side for specifications)

AUTOMECH

AUTOMECH, INC. 82 Calvary Street, Waltham, MA 02453-5918

Telephone: 781-893-3403 • Fax: 781-899-5708 • E-mail: sales@automec.com • Website: www.automec.com